

# ROTATING TUBE STAND WITH TRANSVERSE

Eight-foot rails and 6" dia. trunnion rings are standard. Options include ten foot rails, platform mount, and 6 3/4" trunnion rings.

## TRAVEL AND ALIGNMENT

Longitudinal travel of focal spot	78.7" for 8 ft. rail 102.7" for 10 ft. rail
Transverse travel of focal spot	± 5" from detent position
Vertical travel of focal spot (Standard T.B.)	73" max, 11.9" min.
Range of trunnion motion	+82°, -15° (with standard collimator)
Angulation	360°
Column rotation	360°(where installation permits)
Wall to focal spot at detent position	39.2"

## MOUNTING SPECIFICATIONS

Minimum ceiling height	92.5" wall mount or ceiling mount
Wall/Ceiling mounting bolt specification	Minimum pull-out force of 500 lbs. each
Floor mounting bolt location	Minimum pull-out force of 500 lbs. each

## ELECTRICAL

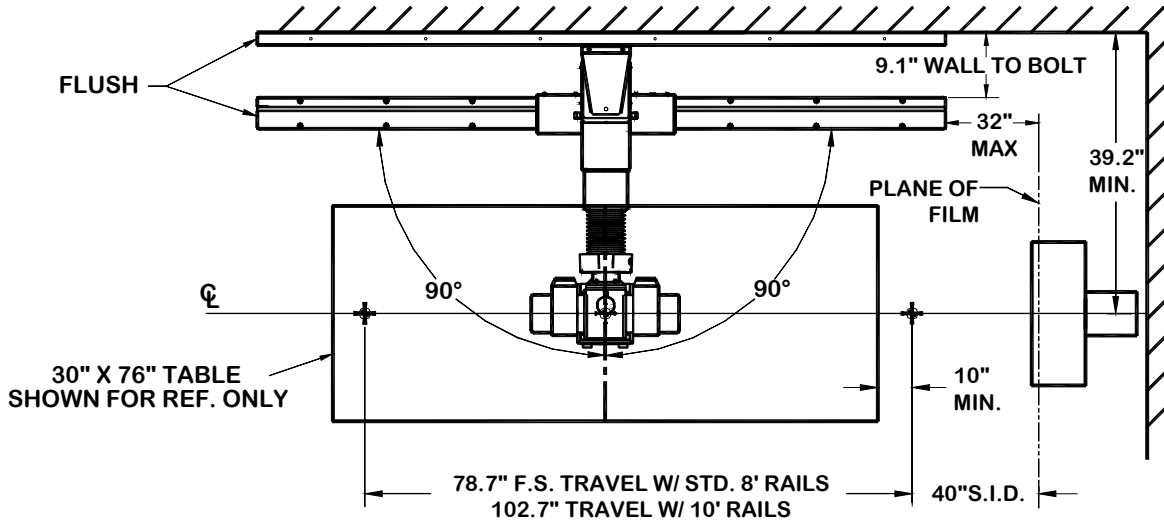
24 VDC, 2 Amp to come from D164 power supply (included) or generator.
---

## SHIPPING INFORMATION

CONTENTS	DIMENSIONS	WEIGHT
Complete Column	97 x 43 x 8 inches	245 lbs.
Rails	8 x 9 x 96 inches	23 lbs.

Specifications subject to change without notice.

# ROTATING TUBE STAND WITH TRANSVERSE S225



⊕ = FOCAL SPOT (F.S.)

