

# FLOOR/WALL OR FLOOR/CEILING TUBESTAND

**This tubestand is specified as a wall mount or ceiling mount at time of order.** Five foot rails and electrical locks are standard. Options include eight or ten foot rails.

## TRAVEL AND ALIGNMENT

|  |   |
|--|---|
| Longitudinal travel of Focal Spot  | Rail length less 7" at each end.  |
| Vertical travel of Focal Spot  | 77" maximum, 10" minimum  |
| Distance of Focal Spot from wall<br>(assuming tubestand is wall mounted) | Depending on application, distance is:<br>18-7/8"(chiro), 22-7/8"(vet/mobile table),<br>27-7/8"(stationary medical table),<br>31-7/8" (float top medical table) |

## MOUNTING SPECIFICATIONS

|                                       |   |
|---------------------------------------|---|
| Minimum ceiling height                | 89"   |
| Ceiling mounting bolt locations       | Minimum 1 inch from rear wall   |
| Wall bracket mounting bolt locations. | One inch and four inches below top of ceiling rail (minimum ceiling height), each with a minimum pull-out force of 500 lbs. |
| Floor mounting bolt locations         | At ends of five foot rail, approximately every 24 inches on other rails, each with a minimum pull-out force of 500 lbs.     |

## ELECTRICAL (OPTION)

|  |
|--|
| 24 VDC, 2 Amp, from additional D164 power supply or 325 Generator. |
|--|

## SHIPPING INFORMATION

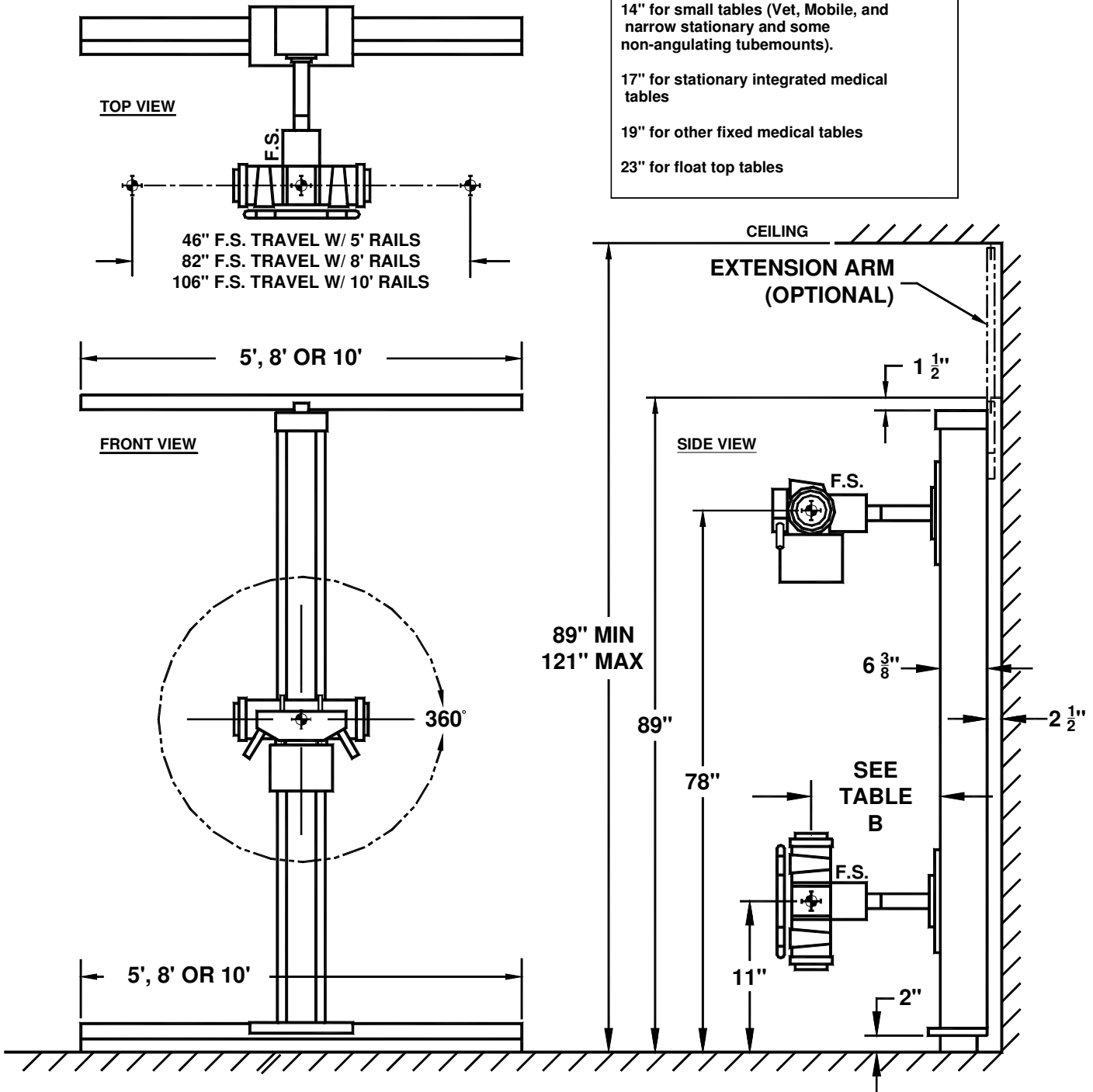
| Contents         | Dimensions          | Weight   |
|------------------|---------------------|----------|
| Accessory Carton | 13 x 32 x 27 inches | 55 lbs.  |
| 8 foot Rails     | 8 x 9 x 112 inches  | 68 lbs.  |
| Column           | 8 x 9 x 86 inches   | 136 lbs. |

Specifications subject to change without notice.

# F/W - F/C TUBE STAND DRAWING

S105/A3306/1550

| TABLE B:<br>Tubearm Lengths   |
|---|
| 10" for Chiro applications and some non-angulating tubemounts.                                |
| 14" for small tables (Vet, Mobile, and narrow stationary and some non-angulating tubemounts). |
| 17" for stationary integrated medical tables  |
| 19" for other fixed medical tables  |
| 23" for float top tables  |



= FOCAL SPOT (F.S.)