

TECHNICAL DATA
MODEL J309

OVERHEAD TUBE SUPPORT

FOCAL SPOT MOTION

Vertical travel..... 18¹/₄ inches minimum (for 9 ft ceiling height)
78¹/₄ inches maximum (for 9 ft ceiling height)
6 inches column extension optional

Longitudinal travel..... 140 inches with standard 167 inch rails
164 inches with optional 191 inch rails

Transverse travel 90 inches

Tube angulation ±120 deg with detents at zero and ±90

Column rotation..... ±150 deg with detents at zero and ±90

TUBE MOUNTING..... 6 inch diameter trunnion rings standard 6-3/4 inch diameter
trunnion rings optional

ELECTRICAL..... 120 VAC, 3 Amps continuous.

MOUNTING..... Uni-Strut type ceiling mount with 1000 lb minimum load
rating required. (Not included)

CONTROLS..... LCD Display for Table Receptor SID, Table Top SID and
Tube Roll Angle.
Control buttons for Transverse Locks, Vertical Locks,
Longitudinal Locks, and All Locks.

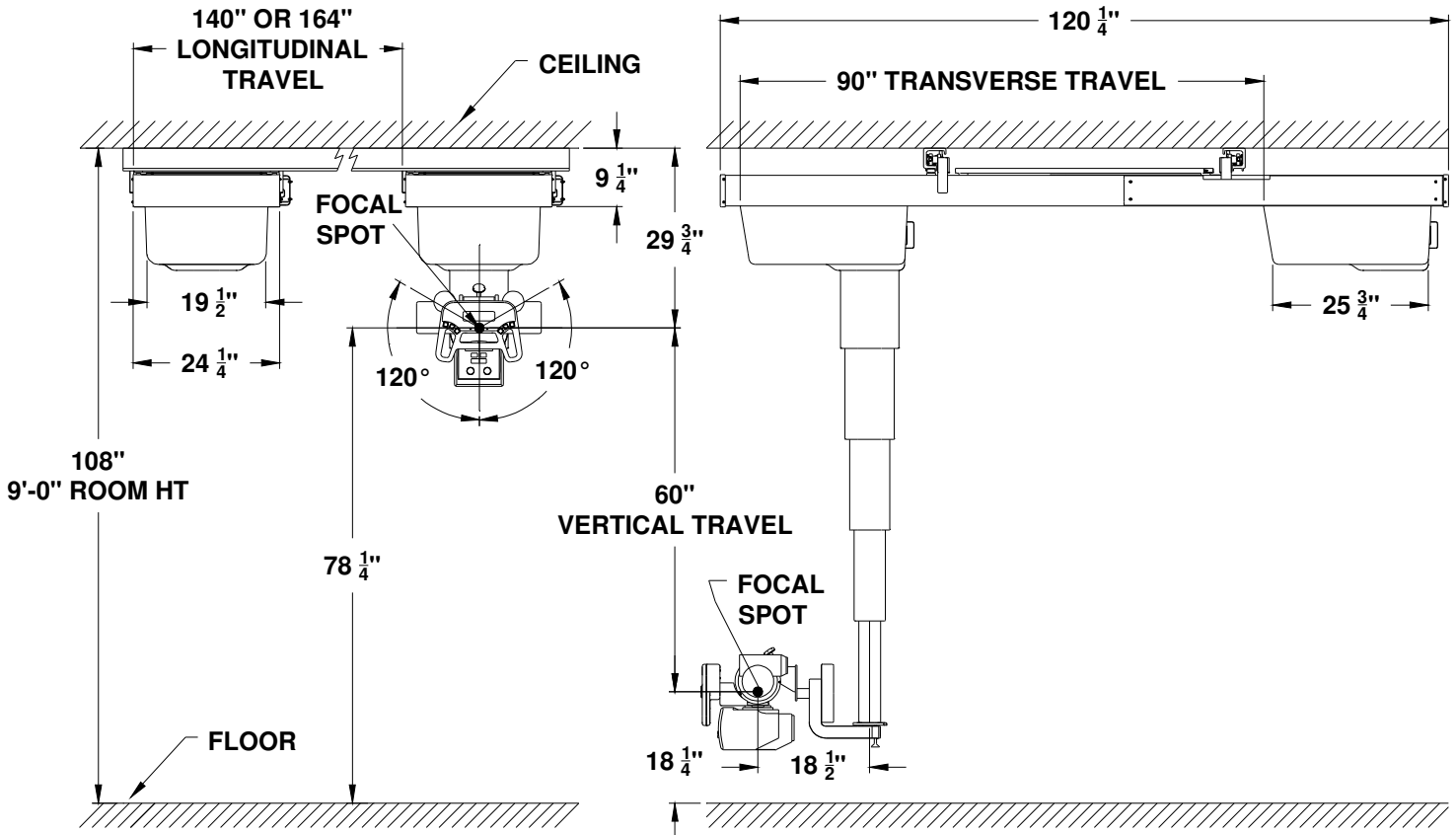
SHIPPING INFORMATION

CONTENTS	DIMENSIONS	WEIGHT
Mast Assembly	32" x 26" x 40"	220 LBS
Transverse Bridge	125" x 32" x 11"	165 LBS
14" Longitudinal Rails (Standard)	168" x 9" x 5"	145 LBS
16" Longitudinal Rails (Optional)	192" x 9" x 5"	165 LBS
Accessory Kit	35" x 26" x 40"	50 LBS

(Specifications subject to revision)

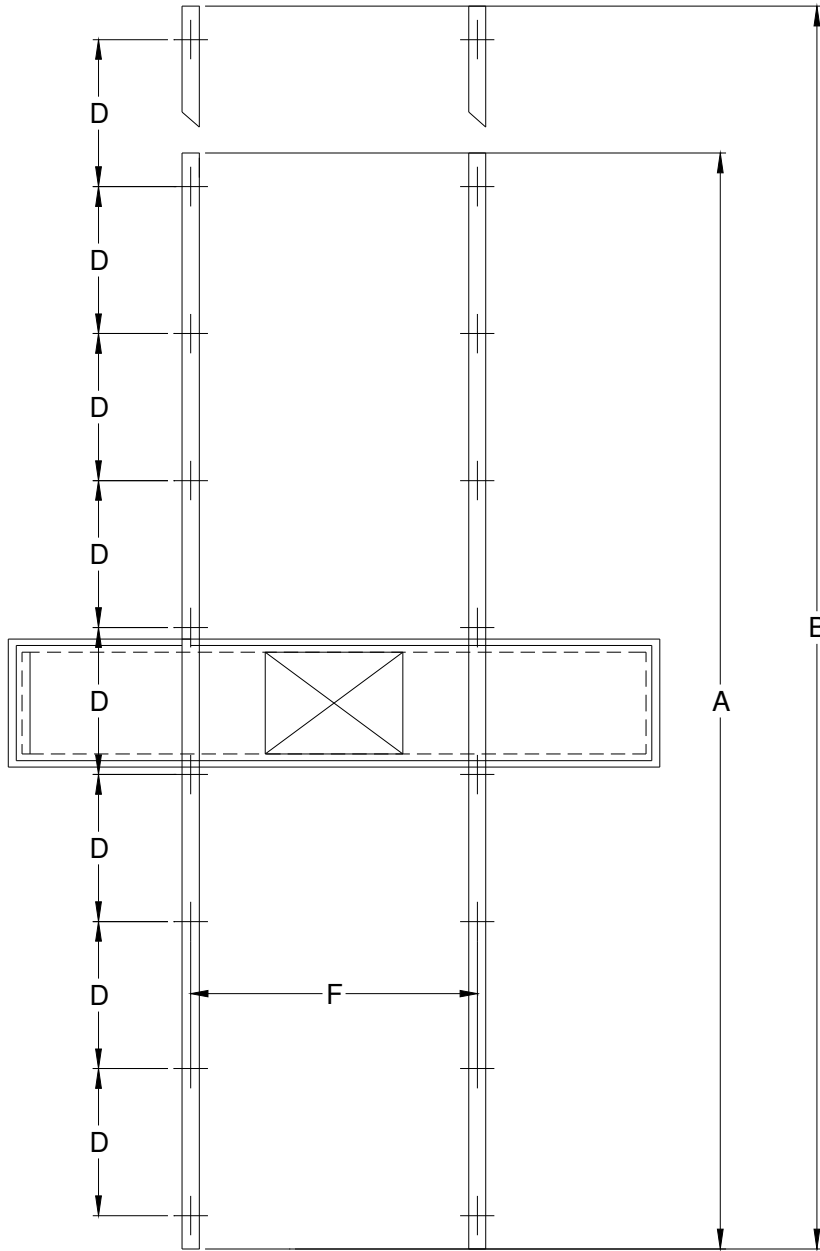
TECHNICAL DATA
MODEL J309

OVERHEAD TUBE SUPPORT



TECHNICAL DATA
MODELJ309

OVERHEAD TUBE SUPPORT



MECHANICAL SPECIFICATIONS:

WEIGHT INSTALLED: 600 LBS

DIMENSIONS IN INCHES:

A = 166.81 (STANDARD)

B = 190.81 (OPTIONAL)

D = 22 3/8

F = 49 7/8